

YAMAHA

NS-10MT

Natural Sound
Bass-Reflex Type
2-Way Speaker System

Thank you for selecting the Yamaha NS-10MT speaker system.

PRECAUTIONS

Read these precautions carefully before operating your speaker.

- When using an amplifier with a rated output power higher than the nominal input power of the speaker, care should be taken never to exceed the speaker's maximum input.
- Anytime you note distortion, reduce the volume control on your amplifier to a lower setting. Never allow your amplifier to be driven into "clipping".
- Do not place the speaker where it will be exposed to direct sunlight or excessive humidity to prevent it from being damaged.
- Do not attempt to clean the speaker with chemical solvents as this might damage the finish. To clean, wipe with a dry, soft cloth.
- Placing the speaker on the same shelf or rack as the turntable can result in feedback.
- Do not place the speaker where it is liable to be knocked over or struck by falling objects. Stable placement will also ensure better sound performance.
- **Secure placing is the owner's responsibility. YAMAHA shall not be liable to any accident caused by an improper placing of the speaker.**

CONNECTION TO YOUR AMPLIFIER

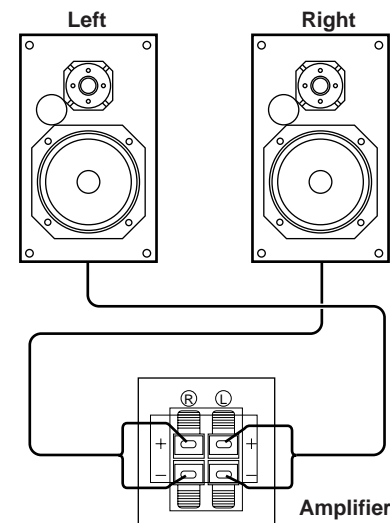
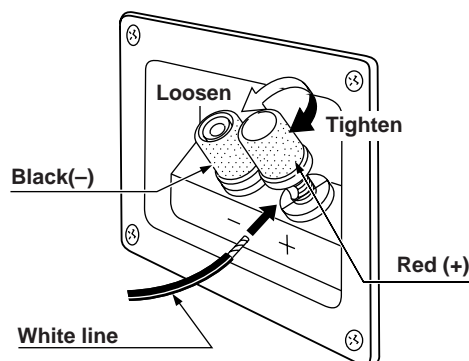
BEFORE MAKING CONNECTIONS, MAKE SURE THAT THE AMPLIFIER IS SWITCHED OFF.

■ CONNECTIONS

- Connect the screw-type input terminals at the rear of the speaker to the speaker output terminals of your amplifier with the provided speaker cables.
- One side of the speaker cable is marked by a white line. Connect the (+) terminals on both the amplifier and the speakers using this white-marked side. Connect the (-) terminals on both components using the unmarked side of the cable. If connected with reversed polarity, the sound will be unnatural and lack bass.

Procedures:

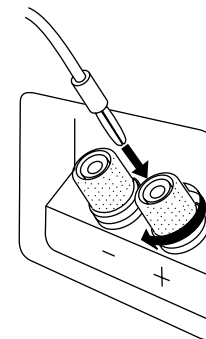
- ① Loosen the terminal knob.
- ② Insert the bare wire end properly into the terminal hole. [Remove approx. 10 mm (3/8") insulation from the speaker cable.]
- ③ Tighten the knob.
- ④ Test the security of the connection by tugging lightly on the cable at the terminal.



Note

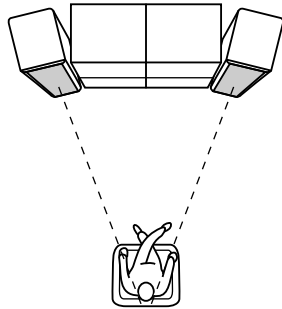
Do not let the bare speaker wires touch each other as this could damage the speaker and/or the amplifier.

* Banana Plug connections are also possible. First tighten the terminal knobs, and then insert the Banana Plug connector into the corresponding terminal hole.



PLACING THE SPEAKER

- Place the speaker on a sturdy, vibration-free surface.
If you cannot obtain good bass quality when the speaker is placed directly on the floor, insert a block etc. between the speaker and the floor.
- Better stereo images will be obtained when the speakers are slightly angled in towards the listener.



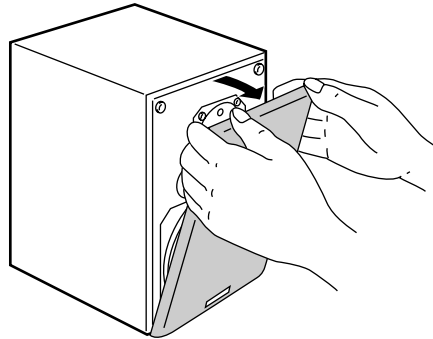
Note
Though this speaker is a magnetic shielding type, there may be an influence on TV picture according to the type of TV or the placement of the speaker. In such a case, place the speaker apart from the TV so that there is no influence on TV picture.

REMOVING THE FRONT COVER

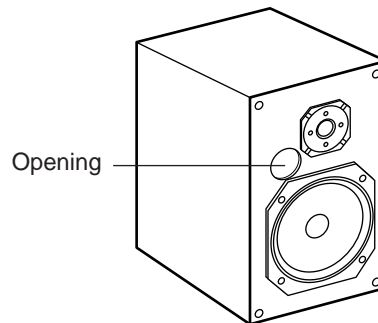
The front cover is fastened to the enclosure at four points, and can be removed if desired. To remove the cover, hold on to both sides and slowly pull straight away from the speaker. To reattach, line up the four pegs on the inside surface of the cover with the four corresponding holes on the speaker and push gently.

Note

When the cover is removed, take care not to touch the speaker units with your hands or to exert excessive force with tools.



This bass-reflex type speaker has an opening on the front panel.
Be careful not to obstruct the opening or put some objects into it. If doing so, the sound will be unnatural or it may cause damage to the speaker and/or amplifier.



SPECIFICATIONS

Type	2 way bass-reflex speaker system
	Magnetic-shielding type
Speaker Unit.....	18 cm cone woofer x 1
	3 cm dome tweeter x 1
Nominal Impedance.....	6 ohms
Frequency Response.....	43 Hz – 30 kHz (–10 dB)
Nominal Input Power.....	60W
Maximum Input Power	180W
Sensitivity	90 dB/w/m
Dimensions (WxHxD).....	215 x 382 x 255 mm
	(8-7/16" x 15 x 10)
Weight.....	7 kg (15 lbs. 7 oz.)
Accessories	Speaker cable (10m) x 1

* Specifications subject to change without notice due to product improvements.

* Care should be taken not to exceed the input power values noted above.